

1 2 3 4 5 6

A

A

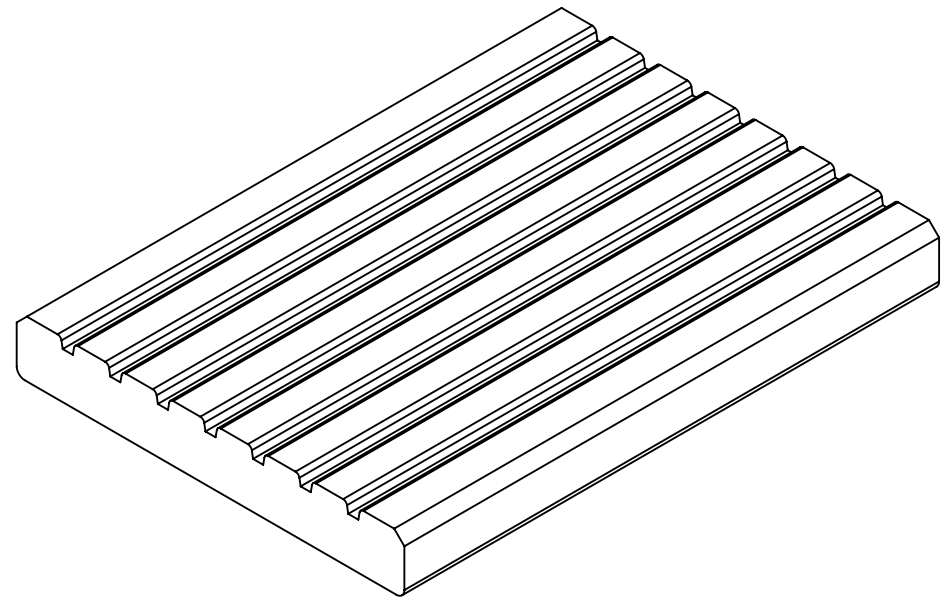
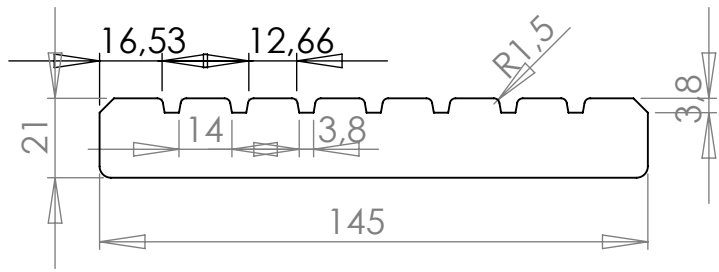
B

B

C

C

D



UNLESS OTHERWISE SPECIFIED:
 DIMENSIONS ARE IN MILLIMETERS
 SURFACE FINISH:
 TOLERANCES:
 LINEAR:
 ANGULAR:

FINISH:

DEBUR AND
 BREAK SHARP
 EDGES

DO NOT SCALE DRAWING

REVISION

	NAME	SIGNATURE	DATE		
DRAWN					
CHK'D					
APPV'D					
MFG					
Q.A					

TITLE:

DWG NO. **Dekdeel 21x145** A4

1 2 3 4 5 6

WEIGHT: SCALE:1:2 SHEET 1 OF 1